



BROEN
VALVE TECHNOLOGIES

BALLOFIX[®]

WORLD LEADING
DANISH DESIGN
& MANUFACTURE

BALLOFIX[®]
MINI BALL VALVES
FOR DOMESTIC
& COMMERCIAL
PLUMBING
APPLICATIONS



THE ORIGINAL BALLOFIX[®] BALL VALVE

BALLOFIX®

THE BALLOFIX® BALL VALVE IS A SECURE AND EASY WAY FOR ISOLATING THE FLOW OF LIQUIDS IN DOMESTIC AND COMMERCIAL APPLICATIONS.

THE BALLOFIX® RANGE

Since its introduction in 1960, over 100 million BALLOFIX® Ball Valves have been installed across the world. With its superior design, high quality production and precision performance, it's no secret as to why the original mini ball valve has been so widely used for over 60 years.

With its unique removable vandal resistant handle and an internal stop built into the valve, the BALLOFIX® Ball Valve is easy to use, tamper proof and safe and reliable. The BALLOFIX® valve provides minimal interruption when maintenance works need to be performed and when the isolation of liquids are required.

100% LEAK TESTED

5-YEAR WARRANTY

TAMPER PROOF

CHROME-PLATED

WHERE TO USE BALLOFIX® ?

- When you are looking for the highest quality installation.
- Multiple installations with restricted access.
- Public toilets.
- Pressurised air lines.
- General industry and maintenance.
- Air conditioning and mechanical services.
- Isolation of plumbing fixtures like tempering valves, dishwashers, hand basins, urinals and toilet.

KEY FEATURES & BENEFITS

Ball is mounted between Teflon sealing rings

Provides complete tightness and smooth operation.

DZR Brass Body

All valves are supplied in DZR brass material making them suitable for drinking water.

Easy identification of open or closed valve

A slot is machined in the top of the ball neck.

Incorporated internal stop in the valve body

Provide a fixed 90° turn of the ball from fully closed to fully open position.

Tamper proof. Operated by removable handle

Ability to limit adjustment to authorised personnel only via handle removal.



WATER



GAS



HEATING



SUBSTANCE COMPATIBILITY

Liquid/Gas	Temperature°C
Hot & Cold Potable Water	100
Steam	100
Clean Air	90
Carbon Dioxide	20
Ethanol	80
Max. Pressure to:	16 bar/1600 kPa

APPROVALS & CERTIFICATES

BROEN A/S is a certified ISO 9001 company and has 14001 environmental certifications.

BROEN BALLOFIX® Mini Ball Valves conform with the requirements of Watermark Technical Specification WMTS-012 and Watermark Certification (No. WMKA00182).

BROEN A/S offers a 5-year Replacement Warranty on the original BALLOFIX®.

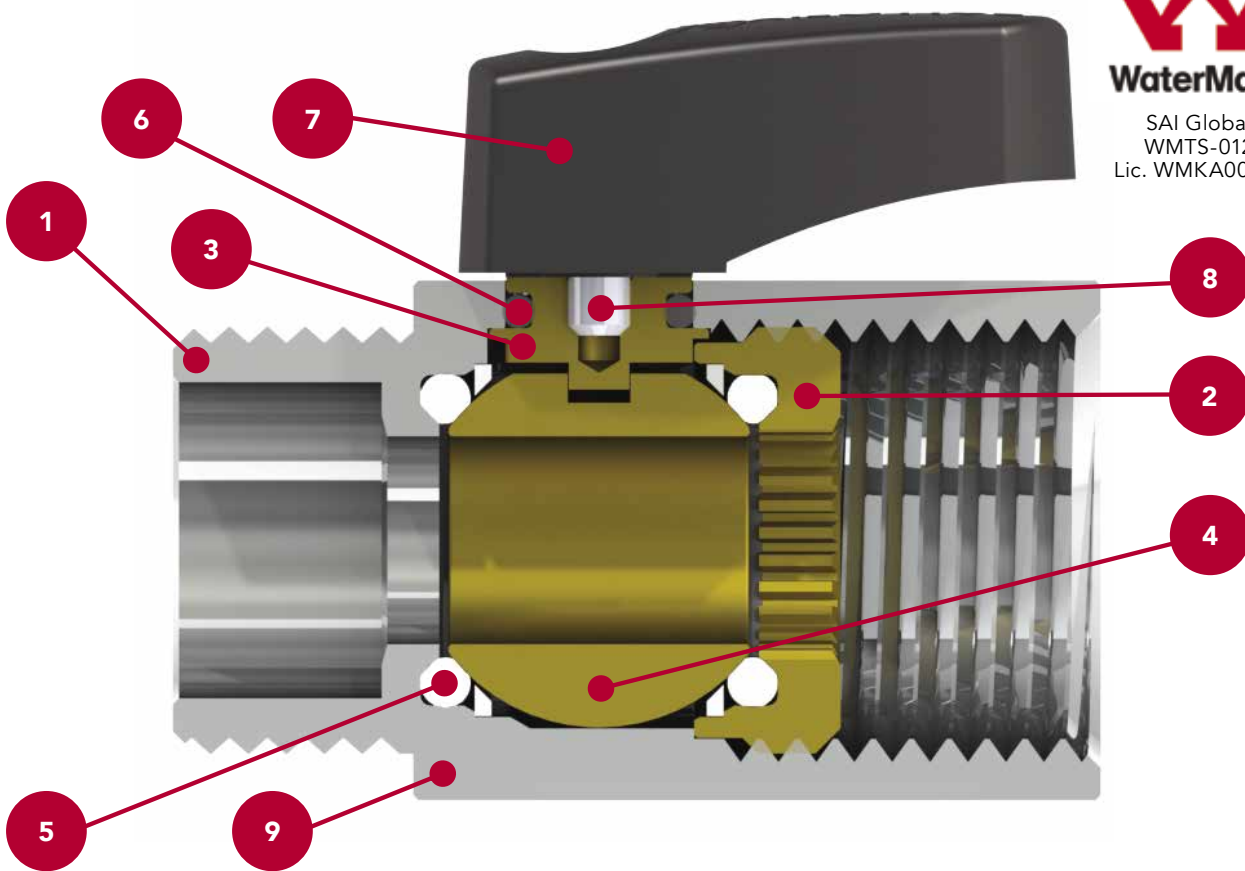


ILLUSTRATION KEY

Number	Component	Material	Standard
1	Valve housing	Brass – CW625N	EN 12164/EN 12165
2	Locking screw	Brass – CW625N	EN 12164/EN 12165
3	Stem	Brass – CW625N	EN 12164/EN 12165
4	Ball	Brass – CW625N	EN 12164/EN 12165
5	Seal	Virgin – PTFE	
6	O-Ring	Rubber – EPDM	
7	Handle	Fibreglass reinforced nylon	
8	Screw	Stainless steel	AISI 304/EN 1.4301
9	Surface Chrome		

BROEN BALLOFIX[®] BALL VALVE - PRODUCT RANGE

MALE/FEMALE (M&F) STRAIGHT BALL VALVES

Model ID	Kembla Item Code	Product Description	Box Quantity
52.657.00-226002	J07760	3/8" Male x 3/8" Female (M&F)	10
53.657.00-226002	J07761	1/2" Male x 1/2" Female (M&F)	10
54.657.00-226002	J07762	3/4" Male x 3/4" Female (M&F)	10


FEMALE/FEMALE (F&F) STRAIGHT BALL VALVES

Model ID	Kembla Item Code	Product Description	Box Quantity
52.658.00-226002	J07764	3/8" Female x 3/8" Female (F&F)	10
53.658.00-226002	J07765	1/2" Female x 1/2" Female (F&F)	10
54.658.00-226002	J07766	3/4" Female x 3/4" Female (F&F)	10

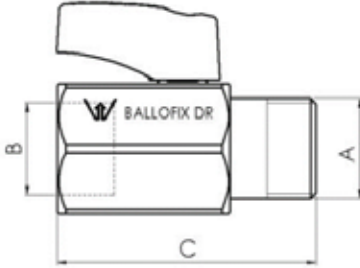

MALE/FEMALE (M&F) REDUCING STRAIGHT BALL VALVES

Model ID	Kembla Item Code	Product Description	Box Quantity
53.211.00-226002	J07767	3/4" Male x 1/2" Female (M&F)	10


MALE/FEMALE (M&F) ANGLE BALL VALVES

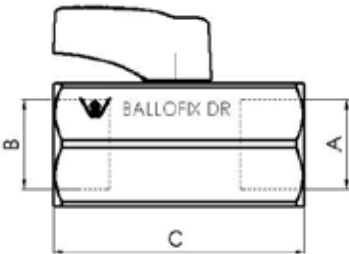
Model ID	Kembla Item Code	Product Description	Box Quantity
52.393.00-228002	J07768	1/2" Male x 1/2" Female (M&F)	10

BROEN BALLOFIX® BALL VALVE - FITTINGS MEASUREMENTS



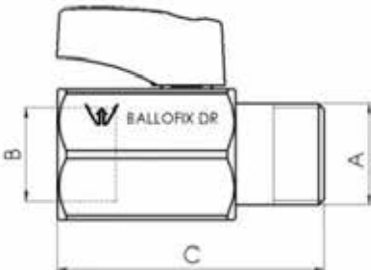
MALE/FEMALE (M&F) STRAIGHT BALL VALVES

Product Code	A	B	C
J07760	3/8" Male	3/8" Female	46cm
J07761	1/2" Male	1/2" Female	55cm
J07762	3/4" Male	3/4" Female	58cm



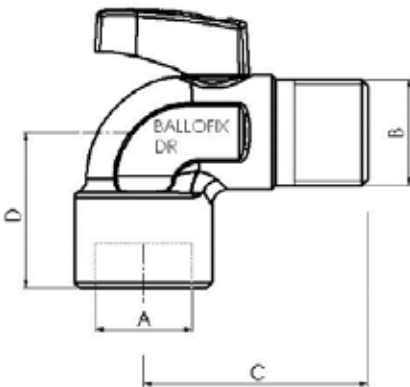
FEMALE/FEMALE (F&F) STRAIGHT BALL VALVES

Product Code	A	B	C
J07764	3/8" Female	3/8" Female	46.9cm
J07765	1/2" Female	1/2" Female	58.4cm
J07766	3/4" Female	3/4" Female	62.5cm



MALE/FEMALE (M&F) REDUCING STRAIGHT BALL VALVES

Product Code	A	B	C
J07767	3/4" Male	1/2" Female	55.4cm



MALE/FEMALE (M&F) ANGLE BALL VALVES

Product Code	A	B	C	D
J07768	1/2" Male	1/2" Female	42.5cm	30mm

THE ORIGINAL BALLOFIX® BALL VALVE



 **100% LEAK TESTED**

 **5-YEAR WARRANTY**

 **TAMPER PROOF**

 **CHROME-PLATED**

 **KEMBLA**

BROEN
VALVE TECHNOLOGIES

BALLOFIX®

www.kembla.com.au

MM, Kembla and MM Kembla are registered trademarks of Metal Manufacturers Ltd.

MM Kembla, ABN 13 003 762 641
Gloucester Boulevard,
PO Box 21, Port Kembla, NSW 2505

T: 1800 804 631
F: 1800 817 846
E: sales@kembla.com.au
Technical Bulletin No: D73/21